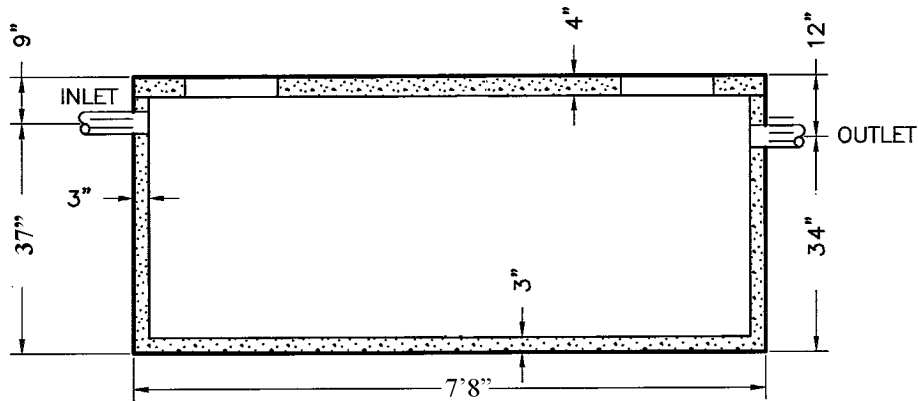


PLAN VIEW

GENERAL NOTES

1. 4" PLASTIC PIPE SEALS FOR INLET AND OUTLET
2. 3/8" REBAR ON 12" CENTERS REINFORCEMENT IN LID AND IN BOTTOM



SECTION A-A

<b>500 GALLON</b>		
<b>REX VAULT SERVICE OF ODON</b>		
Phone 1-800-288-2853	714 W. ELNORA STREET ODON, IN 47562	Fax 1-800-213-0281
EMAIL: <a href="mailto:contactus@rexvault.com">contactus@rexvault.com</a>		