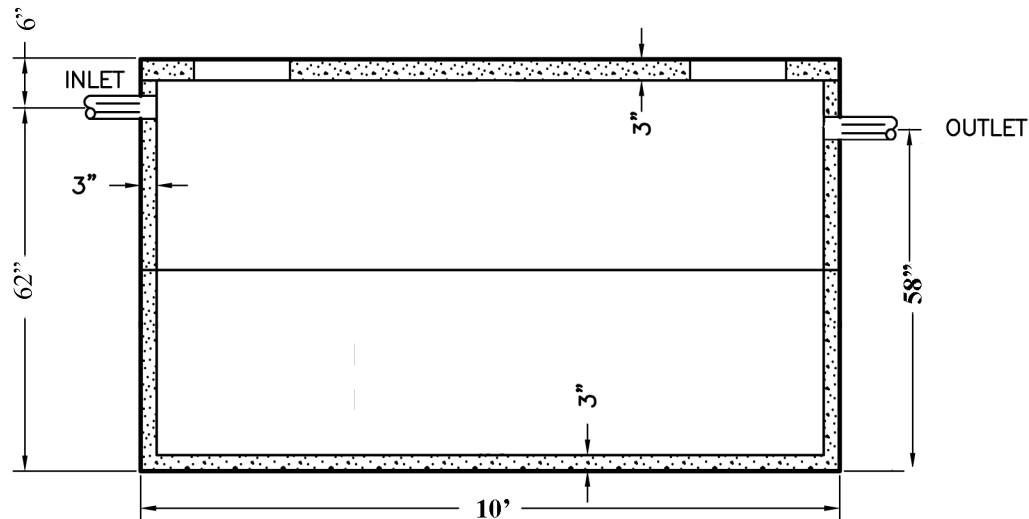


PLAN VIEW



SECTION A-A

GENERAL NOTES

1. 4" Rubber bootseal for inlet and 4" rubber bootseal for outlet
2. 3/8" Rebar on 12" centers with reinforcement in lid and in bottom

1250 Gallon Septic Tank

REX VAULT SERVICE OF ODON

Phone
1-800-288-2853

714 W. ELNORA STREET
ODON, IN 47562

Fax
1-800-213-0281

EMAIL: contactus@rexvault.com