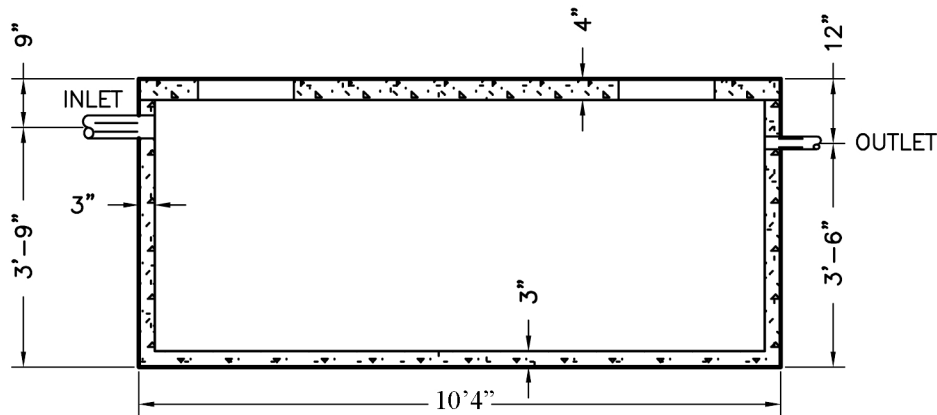


PLAN VIEW

GENERAL NOTES

1. 4" RUBBER BOOTSEALS FOR INLET AND OUTLET
2. 3/8" REBAR ON 12" CENTERS REINFORCEMENT IN LID AND IN BOTTOM



SECTION A-A

1000 GALLON SEPTIC TANK

REX VAULT SERVICE OF ODON

Phone
1-800-288-2853

714 W. ELNORA STREET
ODON, IN 47562

Fax
1-800-213-0281

EMAIL: contactus@rexvault.com