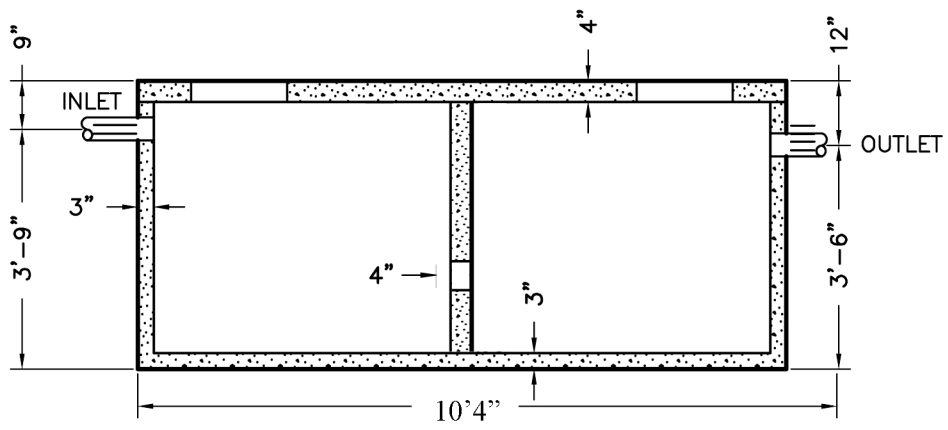


PLAN VIEW

GENERAL NOTES

1. 4" RUBBER BOOT SEALS FOR INLET AND OUTLET
2. REBAR ON 12" CENTERS REINFORCEMENT IN LID AND IN BOTTOM



SECTION A-A

1000 GALLON GREASE TRAP		
REX VAULT SERVICE OF ODON		
Phone	714 W. ELNORA STREET	Fax
1-800-288-2853	ODON, IN 47562	1-800-213-0281
EMAIL: contactus@rexvault.com		