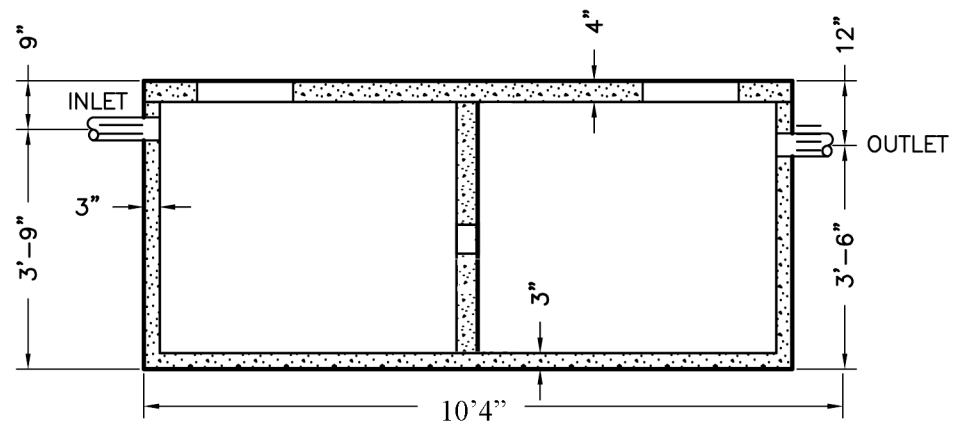


PLAN VIEW

GENERAL NOTES

1. 4" RUBBER BOOT SEALS FOR INLET AND OUTLET
2. REBAR ON 12" CENTERS REINFORCEMENT IN LID AND IN BOTTOM



SECTION A-A

1000 Gallon 2 Compartment		
REX VAULT SERVICE OF ODON		
Phone 1-800-288-2853	714 W. ELNORA STREET ODON, IN 47562	Fax 1-800-213-0281
EMAIL: contactus@rexvault.com		